



Pattern #5006

48" x 16" Split Face Block



2'x 2' Picture Area

V-Lite Plastic Formliner

Materials

STY - Polystyrene (White) - Single Use
ABS (Gray) - Up to 10 Reuses



Care and Handling

Keep out of the sunlight and cover when not in use. Keep away from steam, acids, and certain fuels. For further instructions refer to application guide



Thermal Expansion

Approximately 1/16" per every 10°F change in material temperature.

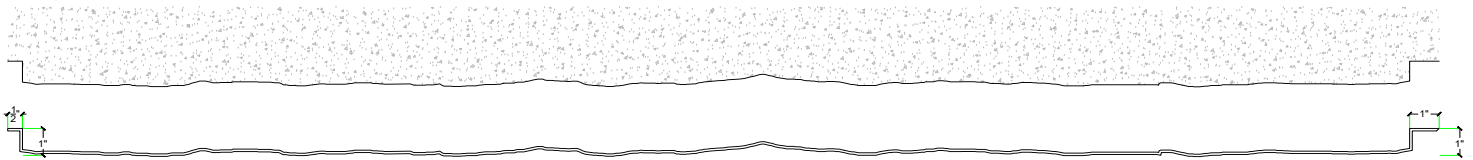


Note

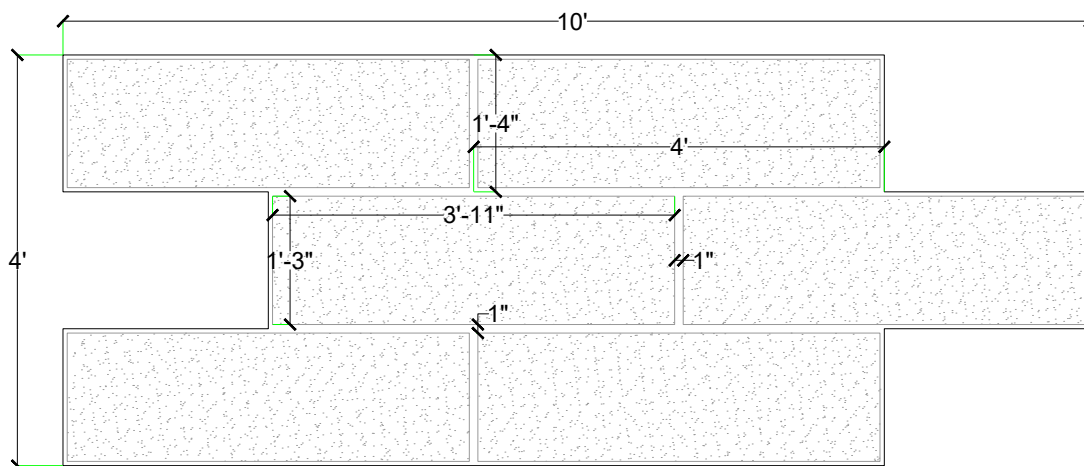
Pattern may require additional backing. We recommend a mockup pour simulating actual job conditions. Refer to Application Guide.



SECTION VIEW



ELEVATION VIEW





Number of Modules: 1

Pattern Modules

MATCHING:

- End to End
- Top to Bottom
- Does Not Match

ROTATE 180 DEGREES:

- Yes
- No

ADDITIONAL BACKING REQUIRED:

- Yes
- No
- Maybe

STAGGERED PATTERN:

- Yes
- No

